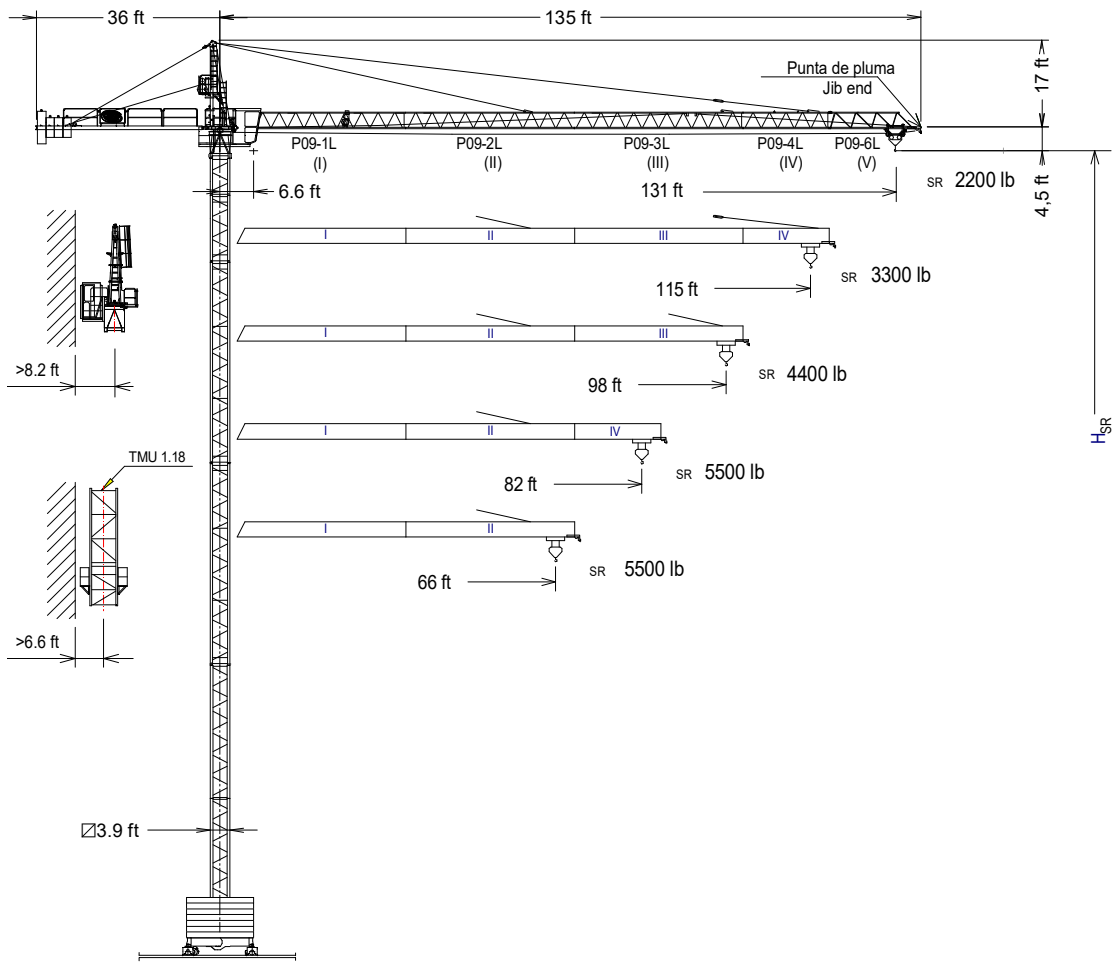




EN 14439
C25

UNE-EN-ISO 9001



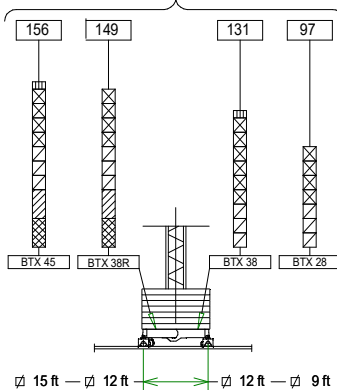
H_{SR} = Altura máxima bajo gancho sin arriostrar (m).
Maximum height under hook without fastening (m).



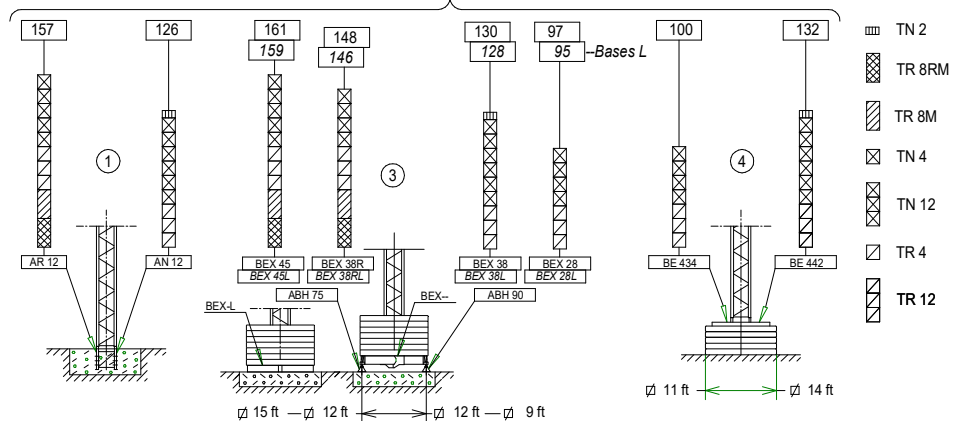
** Punta de pluma / Jib end

TMU 1.18	202.35.500	AR12	137.21.000
P09-1L	155.40.000	AN 12	146.21.000
P09-2L	155.41.000	BTX 45/BEX 45	137.20.500
P09-3L	155.42.000	BTX 38R/BEX 38R	137.20.000
P09-4L	155.43.000	BTX 38/BEX 38	149.20.000
P09-6L	154.44.500	BTX 28/BEX 28	149.20.500
Punta de pluma/Jib end*	155.45.000	BEX 45L	155.23.500
TR 12	146.30.000	BEX 38RL	155.23.800
TN 12	146.31.000	BEX 38L	155.23.000
TR 8RM	202.30.000	BEX 28L	155.23.200
TR 8M	146.30.800	ABH 75	152.23.000
TR 4	800.32.300	ABH 90	146.23.000
TN 4	146.32.000	BE 442	146.24.850
TN2	146.32.500	BE 434	146.24.950

(H) TRASLACIÓN / TRAVELLING /



(H) ESTACIONARIA / STATIONARY /


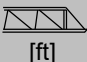


Fecha / Date: 04/06/2020

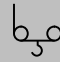

FEM 1005 - C25

Reservado el derecho a modificaciones sin previo aviso. Declinamos toda responsabilidad derivada de la información proporcionada / Subject to modification, without previous warning. This information is supplied without liability

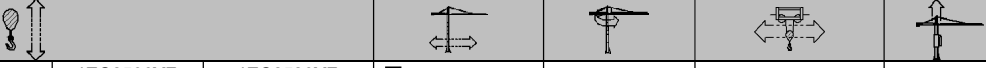
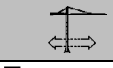

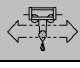
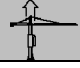
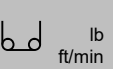
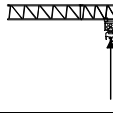


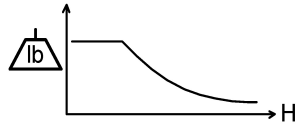
CARGAS / LOADS **J4010**

 SR1 (lb)		Cargas máximas / <i>Maximum loads</i> SR1 - 4400 lb				
 [ft]	4400 lb @...[ft]	Alcance del gancho [ft] / <i>Hook reach [ft]</i>				
		66	82	98	115	131
131	73	4400	3850	3100	2600	2200
115	89	4400	4400	3950	3300	—
98	98	4400	4400	4400	—	—
82	82	4400	4400	—	—	—
66	66	4400	—	—	—	—

CARGAS / LOADS **J4010**

 SR2 (lb)		Cargas máximas / <i>Maximum loads</i> SR2 - 5500 lb				
 [ft]	5500 lb @...[ft]	Alcance del gancho [ft] / <i>Hook reach [ft]</i>				
		66	82	98	115	131
131	60	4960	3850	3120	2600	2200
115	73	5500	4850	3950	3300	—
98	81	5500	5400	4400	—	—
82	82	5500	5500	—	—	—
66	66	5500	—	—	—	—

CARACTERISTICAS DE MECANISMOS / MECHANISMS FEATURES **J4010**

*opcional *optional									
	EC1846 SR2 13,2 kW		EC1856 SR1 13,2 kW		*EC2566VF SR2 18,4 kW	*EC2580VF SR1 18,4 kW	<input checked="" type="checkbox"/> 9 / 12 / 15 ft TG825VF 2x3 kW	OG608VF 4 kW	TC360 / *TC360VF 1,9 / *1,8 kW
	2870 5510 5510 150 75 16	2425 4410 4410 184 92 20	2870 5510 0..210 0..105	2425 4410 0..270 0..135	0...82 ft/min	0... 0,8 r/min sl/min	98/196 ft/min *0...98 *98...196 ft/min	3.3 ft/min	
	H ≤ SR 633 ft		SR 620 ft		 480V 60Hz	EC1846 EC1856	AMPERAGE = 40 A		
						EC2566 VF EC2580 VF	AMPERAGE = 45 A		

LASTRES INFERIORES / LOWER BALLASTS **J4010**

H (ft)		46	59	72	98	131	156	161
BEX 45 / BTX 45		6			8	10	14	16
BEX45L		8				10	14	16
BEX 38R / BTX 38R		6	8	10	12	16	---	---
BEX 38 / BTX 38		6	8	10	12	16	---	---
BEX 38RL		8			10	12	16	---
BEX 38L		8			10	12	---	---
BEX 28 / BTX 28 BEX 28L		8	10	12	---			
H (ft)		67			100			
BE 434		8			10			
H (ft)		90.5			105		132	
BE 442		12	16	20				

H: Altura bajo gancho / *Height under hook*

Para alturas intermedias tomar el lastre correspondiente a la altura superior / *For intermediate heights take the ballast corresponding to the higher height*



Fecha / Date: 04/06/2020

 **FEM 1005 - C25**

Reservado el derecho a modificaciones sin previo aviso. Declinamos toda responsabilidad derivada de la información proporcionada / *Subject to modification, without previous warning. This information is supplied without liability*

DENOMINACIÓN / DENOMINATION		L [ft]	A [ft]	H [ft]	P / W [lb]		
Torre Tower	TR 8RM – TR 8M	26.5	3.9	3.9	5675-5545		
	TR 12 – TN 12	39.4	3.9	3.9	6260-6130		
	TR 4	13.0	3.8	3.8	2360		
	TN 4	13.4	3.9	3.9	2325		
	TN 2	7.5	3.9	3.9	1730		
Conjunto asiento pista, punta de torre, orientación y elevación <i>Slewing table assembly, tower head, slewing and hoisting mechanism</i>			22.9	5.4	7.9	7985	
Tramo de pluma Jib section	P09 1L (I)	33.2	3.3	3.8	1435		
	P09 2L (II)	33.2	2.8	3.6	1210		
	P09 3L (III)	33.3	2.8	3.6	1245		
	P09 4L (IV)	17.3	2.8	3.6	550		
	P09 6L (V)	17.2	2.8	3.4	410		
Polipasto / Hook assembly		SR		2.5	0.5	3.1	300
Carro / Trolley		SR		3.3	4.4	2.4	245
Contrapluma con plataformas / Counterjib with platforms			32.6	4.6	1.3	1795	
Plataforma y cabina / Platform and cabin			12.1	5.3	7.4	1810	
Contrapeso / Counterweight	Grande / Big		3.5	1.6	6.6	5205	
	Pequeño / Small		3.5	1.6	4.3	3305	
Base grúa Testero largo <i>Crane base Long carriage</i>	BTX 28	15.4	2.1	5.0	2965		
	BTX 38	20.0	2.1	5.0	3475		
	BTX 38R	20.0	2.1	5.2	3950		
	BTX 45	23.0	2.1	5.2	4550		
	BTX 28L	21.2	1.8	3.2	2910		
	BTX 38L	17.9	1.8	3.2	2555		
	BTX 38RL	17.9	1.8	2.9	1875		
	BTX 45L	13.2	1.8	2.9	1455		
	BEX 28	13.6	1.0	4.2	2560		
	BEX 38	18.2	1.0	4.2	3065		
BEX 38R	18.2	1.0	4.6	3505			
BEX 45	21.5	1.0	4.6	4105			
Mecanismo traslación grúa / Crane travelling mechanism			3.1	1.8	2.2	645	
Lastre / Ballast	☐ 9 ft	9.8	1.4	4.3	8155		
	☐ 12 ft - ☐ 15 ft	13.1	1.1	4.3	9040		
	BE 442	6.9	1.1	6.9	7605		
	BE 434	11.2	1.1	5.5	9480		
Torre de montaje / Jacking cage		TMU 1.18	23.4	5.8	5.6	7055	
Torre de montaje sin puerta, carro, plataforma carro y viga de apoyo <i>Jacking cage without door, trolley, trolley platform and beam assembly</i>			23.4	5.8	5.6	5400	

H	T	Component	Weight (T)	H	T
1	15	TN 4	146.32.000	15	1
2	28	TN 4		28	2
3	67	TN 12	146.31.000	67	3
4	106	TR 12	146.30.000	106	4
5	132	TR 8M	146.30.800	132	5
6	144	TX-90/TXXR	202.36.500	144	6
7	154	T 3-90	133.32.000	154	7
8	163	T6-150A	161.31.300	173	8
9	173	T6-150	161.31.000	192	9
		TL20/TX150	161.36.000	205	10
		TS20-5,6A		223	11
		TS20-5,6		241	12
		TSR20-5,6A		260	13
		TSR20-5,6		278	14

AN 90 133.21.000
 AND 90 133.21.800
 AN 150 161.21.000
 AND 150 161.21.050
 AL 20 153.21.800
 ALD 20 160.21.250
 AS 20 160.21.010
 ASD 20/24 160.21.080
 ASR 20 160.21.200
 ASRD 20/24 156.21.000

T: Torre / Tower
 H: Altura / Height

Transporte Transport

H=126 + AN12

2x

3x HIGH CUBE 40'

≤ 6xTN4

TREPADO / CLIMBING J4010

$h_{max} = 3 \times TR4 + 6 \times TN4$

	▶	■
h (ft)	118	
D (ft)	25.6 - 32.8	
P (lbf)	71040	65420
Rmax (lbf)	20680	56425

TR4: 800.32.300

Trepado interno / Internal climbing

- Viento fuera de servicio / Out of service wind
- Consultar / Consult / Nous consulter
- En servicio / In service / En service
- Fuera de servicio / Out of service



Ctra./Rd. Madrid - Irún Km. 415 - 20.213 IDIAZABAL [Gipuzkoa] ESPAÑA / SPAIN
 P.O. Box, 23 - 20.200 BEASAIN - E-mail: jaso@jaso.com
 Tel. +34 943 - 18 70 00 • Fax. +34 943 - 18 70 20
www.jaso.com

Fecha / Date: 04/06/2020

FEM 1005 - C25

DELEGACION / DEALER